



# SPEEDER ONE

ERGONOMIC GAMING CHAIR

## ASSEMBLY DRAWING

部件图示, 部件圖示



### Seat Height Lift

椅座高度調整  
椅座高度調整



### Sliding Seat

椅座前后调整  
椅座前後調整

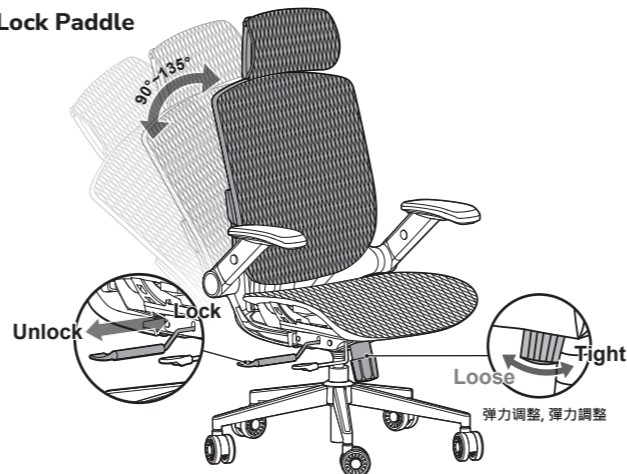
5 POSITION LOCK  
5段位置調整  
5段位置調整



### Seat Tilt & Lock Paddle

椅背傾仰調整  
椅背傾仰調整

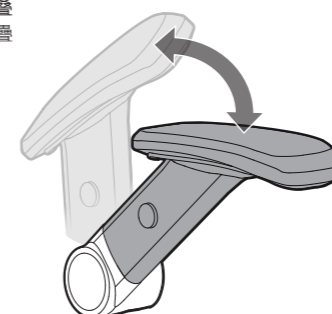
3 POSITION LOCK  
3段角度固定



### 2D Folding Armrest

2D 折疊式扶手  
2D 摺疊式扶手

Folding  
折疊  
摺疊



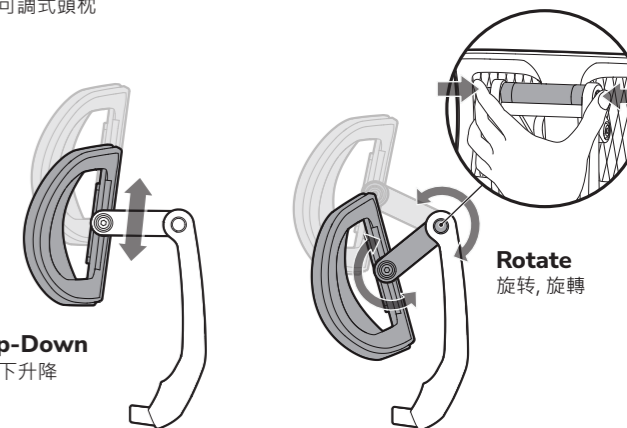
Up-Down  
上下升降



### 3D Adjustable Headrest

3D 可調式頭枕  
3D 可調式頭枕

Up-Down  
上下升降

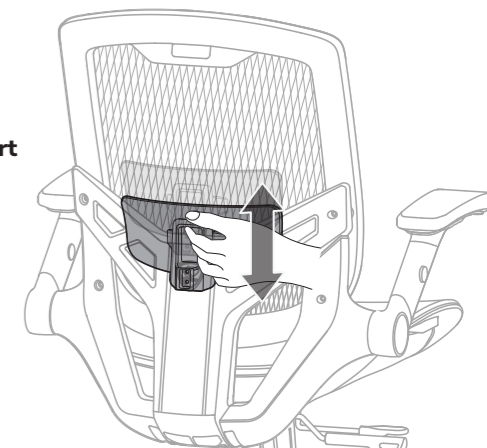


Rotate  
旋轉, 旋轉

### Adjustable Lumbar Support

可調式腰部支撐  
可調式腰部支撐

5 POSITION LOCK  
5段升降調整  
5段升降調整



Race into comfort with the Speeder series gaming chair, where sleek racing style meets ergonomic design. Crafted with breathable mesh fabric, the Speeder One offers comfort and cool. A couple of adjustable design guarantees great support for intense gaming sessions, including 2D folding armrest, headrest, lumbar support and seat. Level up your gaming experience with the Speeder One!

Speeder 系列人體工學電競椅·結合時尚超跑外觀與人體工學設計·提供極致舒適的乘坐體驗·採用透氣網布材質·確保舒適與涼爽·此外·一系列可調整設計為你打造最佳支撐性·包含2D折疊式扶手·頭靠·腰部支撐與座椅深度·即刻升級你的遊戲體驗!

Speeder 系列人體工學電競椅·結合時尚超跑外觀與人體工學設計·提供極致舒適的乘坐體驗·採用透氣網布材質·確保舒適與涼爽·此外·一系列可調整設計為你打造最佳支撐性·包含2D折疊式扶手·頭靠·腰部支撐與座椅深度·即刻升級你的遊戲體驗!

## FEATURES 产品特点, 產品特點

### ENGLISH

- Racing style meets ergonomic mesh design.
- Breathable mesh fabric guarantees comfort and cool.
- 2D folding armrest and adjustable headrest.
- Lumbar support, seat depth are customized.

### ESPAÑOL

- El estilo de carrera se combina con un diseño de malla ergonómico.
- El tejido de malla transpirable garantiza comodidad y frescura.
- Reposabrazos abatible 2D y reposacabezas regulable.
- El soporte lumbar y la profundidad del asiento se personalizan.

### DEUTSCH

- Rennstil trifft auf ergonomisches Mesh-Design.
- Atmungsaktives Netzgewebe sorgt für Komfort und Kühlung.
- 2D klappbare Armlehne und verstellbare Kopfstütze.
- Lendenwirbelstütze und Sitztiefe sind individuell anpassbar.

### KOREAN

- 레이싱 스타일은 인체 공학 메쉬 디자인과 일치합니다.
- 통기성이 뛰어난 메쉬 소재로 편안함과 시원함을 보장합니다.
- 2D 접이식 팔걸이와 조절 가능한 머리 받침대.
- 요추 지지대, 좌석 깊이가 맞춤 설정됩니다.

### 日本語

- レーシングカーのスタイルは人間工学の網目デザインに合っている。
- 通気性のあるメッシュ生地が快適さと涼しさを保証します。
- 2D 折りたたみ式アームレストと調節可能なヘッドレスト。
- ランバ-サポートシートの深さはカスタマイズ可能です。

### PORTUGUÉS

- Estilo de corrida encontra design ergonómico de malha.
- Tecido de malha respirável garante conforto e frescura.
- Apoio de braço dobrável 2D e apoio de cabeça ajustável.
- Apoio lombar e profundidade do assento são personalizados.

### РУССКИЙ

- Гонимый стиль сочетается с эргономичным дизайном сетки.
- Дышащая сетчатая ткань гарантирует комфорт и прохладу.
- 2D складной подлокотник и регулируемый подголовник.
- Поясничная подпор, глубина сиденья настраиваются.

### FRANÇAIS

- Le style de course rencontre le design ergonomique en maille.
- Le tissu en maille respirant garantit confort et fraîcheur.
- Accoudoir rabattable 2D et appui-tête réglable.
- Le soutien lombaire et la profondeur du siège sont personnalisés.





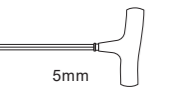
### 簡中

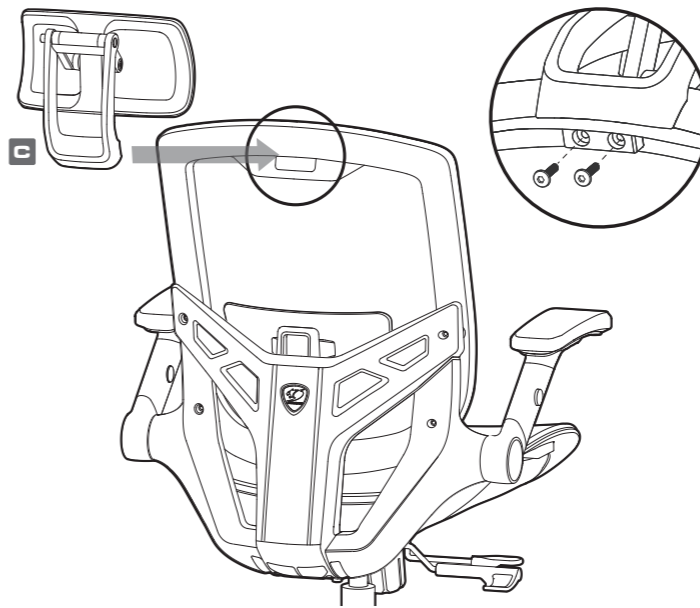
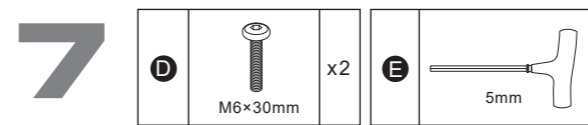
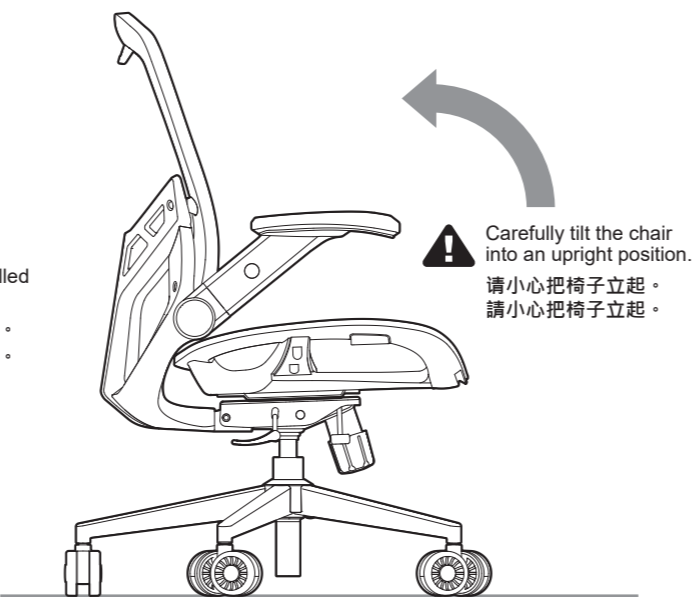
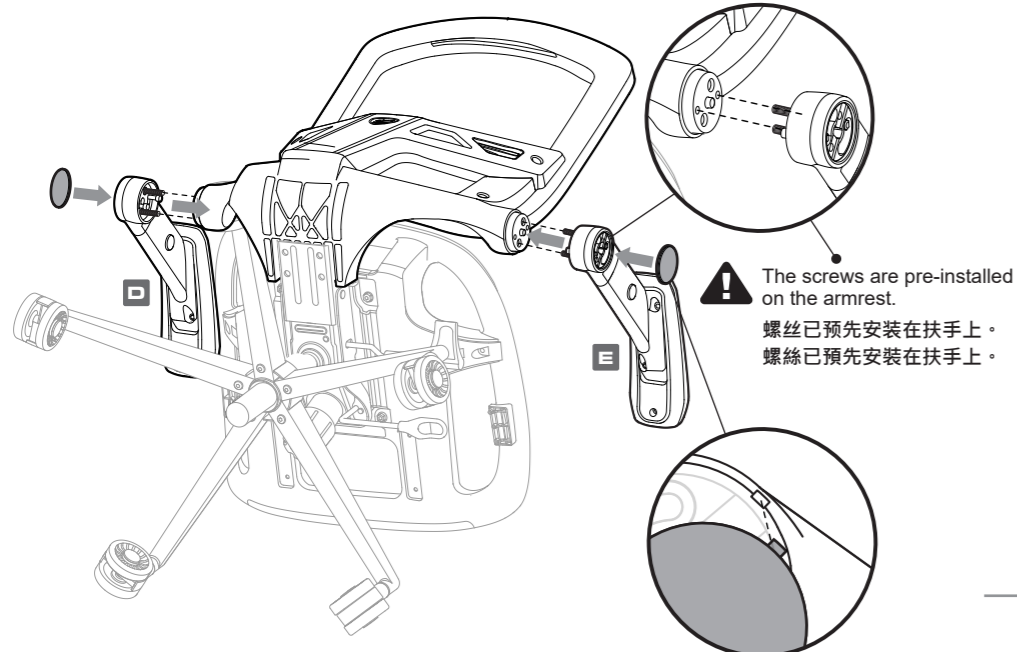
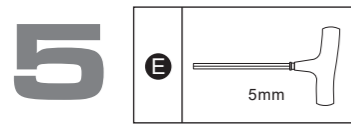
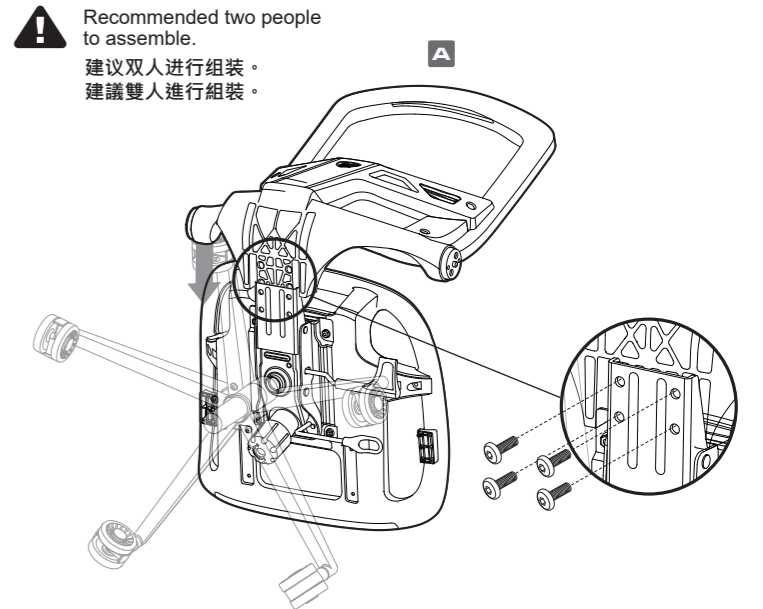
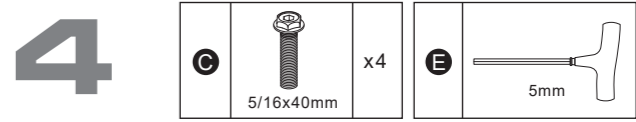
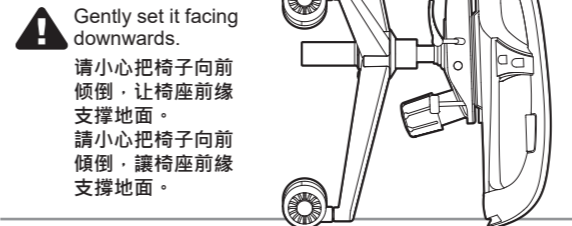
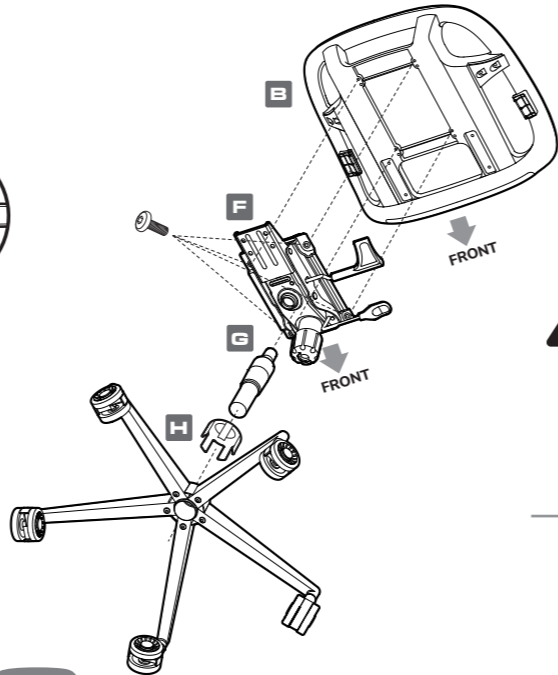
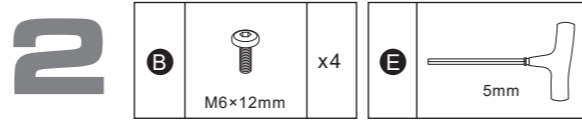
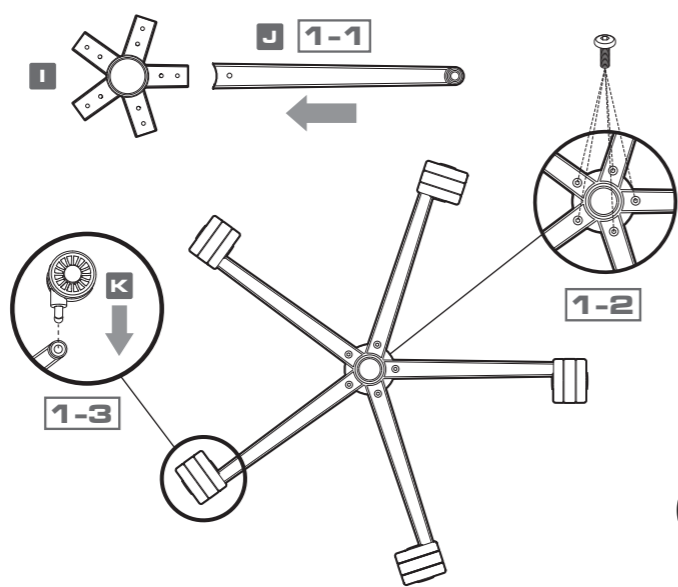
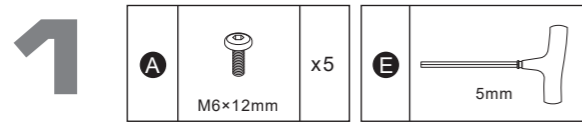
- 时尚赛车风格结合人体工学网椅
- 透气网布材质确保舒适与凉爽
- 2D 折疊式扶手和可調式頭枕
- 可調整腰部支撐和座椅深度

### 繁中

- 時尚賽車風格結合人體工學網椅
- 透氣網布材質確保舒適與涼爽
- 2D 摺疊式扶手和可調式頭枕
- 可調整腰部支撐和座椅深度



<b>A</b>	<b>B</b>
	
M6×12mm	M6×12mm
x5	x4
<b>C</b>	<b>D</b>
	
5/16x40mm	M6×30mm
x4	x2
<b>E</b>	
	
5mm	
x1	



**MANUFACTURER CONTACT**

制造商联系方式, 製造商聯繫方式

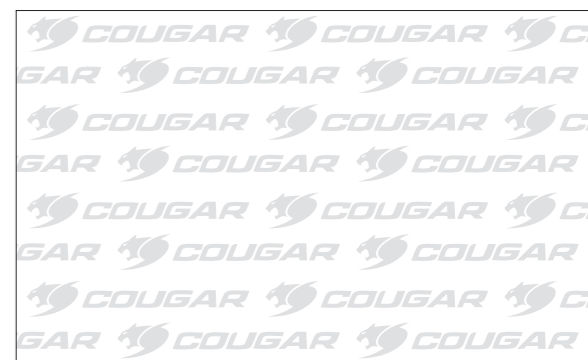
**COUGAR** COUGAR USA Technical Service  
Tel: (833) 256-3778  
www.cougargaming.com Mail:rma@compucaseusa.com

Compucase Enterprise Co.,Ltd.  
All rights reserved. Made in China

Official website

Maximum stationary weight capacity 120kg. Please do not place any body or object above 120kg on this chair. From spaces in which it could get caught or be injured.  
本产品最大承受重量120公斤。请勿将120公斤以上的物体放在椅子上。本产品最大承受重量120公斤。請勿將120公斤以上的物體放在椅子上。

**DISTRIBUTOR**



**GLOBAL WARRANTY POLICY**

全球保固条款, 全球保固條款

**WARRANTY PERIODS OF COUGAR GAMING DEVICES**  
Product : COUGAR SPEEDER ONE Ergonomic Gaming Chair  
Warranty : Please refer to our official website.  
(https://cougargaming.com/us/support/warranty/)  
保固政策 : 中国地区购买, 请参考中国地区官方网站。  
(http://cougargaming.com.cn/support/warranty/)



詳細保固條件  
請掃描QR Code

This warranty gives you specific legal rights. You may also have other rights granted under local law. These rights may vary.

**WARRANTY AGREEMENT**

If the product has defects in material or manufacture, COUGAR will provide product repair and replacement service within the warranty period.  
Our warranty service is based on the date of the invoice or warranty card.

**CONDITIONS WHERE FREE MAINTENANCE IS NOT PROVIDED**

- Any fault or damage caused by natural disasters (including storm, fire, flood, thunder, earthquake, etc).
- Any fault or damage caused by accidental factors and man-made reasons (including hit, scrape, crash, moving, compression, stain, corrosion, riot, misuse, malicious damage, etc).
- Use in an improper operating environment (including high temperature, high humidity, water inflow, etc).
- Inability to provide the product warranty card, purchase receipt or invoice to prove the product is still within the warranty period and the shipping date of the product is out of warranty.
- The warranty card has been altered or its number is hard to identify.
- The warranty period has expired.

- Any fault or damage caused by non-compliance with regulations stated on the user manual or improper, rough and careless treatment.
- Any fault or damage caused by use of parts not certified by COUGAR original manufacturer.
- The problem is caused by improper repair or adjustment by the buyer or any manufacturer without authorization from COUGAR.
- The product is not acquired from an authorized distributor of the company or is acquired from illicit sources.
- Paper carton, instruction and other accessories are not warranted.

**DISCLAIMERS**

- COUGAR products should not be used as critical components in life support devices.
- COUGAR is not liable for any damage of life and limb or damage or loss of property caused by or during COUGAR products' use as or with medical equipment, military equipment, traffic equipment and disaster prevention systems.
- COUGAR's warranty liability is limited to repair or replacement. The decision on whether to repair or replace belongs exclusively to COUGAR.

COUGAR is, to the extent not prohibited by law, not liable for any damages; expenses; lost data, revenues, savings or profits; or any incidental or consequential damages happened while the use of a defective product from COUGAR or due to its use.

**LEGAL NOTICES**

This manual was created by Compucase Enterprise and may not be completely or partially copied, passed on, distributed or stored without written consent by Compucase Enterprise.  
COUGAR® is a registered brand of Compucase Enterprise. Other product and company names mentioned in this documentation may be brands or trademarks of their respective owners.  
Compucase Enterprise reserves the right to make changes concerning the contents of the manual and the technical data of the product without previous announcement.

**WARNING**

- To adjust the chair height, gently pull the lever up. Do not use excessive force to pull the lever.
- Please wear protective gloves when assembling the chair. It is your own responsibility to use appropriate protection to prevent any physical damage.
- When rocking the chair, using it in any other way or adjusting the height, inclination, position or balance of the chair or any of its components, please pay attention to your hand's position and keep it away from spaces in which it could get caught or be injured.
- Do not make fast or violent movements when the chair is in movement.
- Do not touch any of the chair's adjustment controls to prevent affecting its stability and causing a potentially dangerous fall.
- When reclining the chair to its full extent, set the related control level in lock position and keep both feet on the ground, as well as abstain from any violent, rough or strong movement which could cause the chair to tip over.
- Keep in mind that this chair is designed only for sitting and reclining, and that it should be used only for those uses.
- Do not sit on the edge of the chair or the arm rests.
- Do not place the chair in a location in which it is likely to be subjected to prolonged sunlight exposure.
- The product's colors might fade when exposed to sunlight.
- Do not use abrasive products or scrub energetically when cleaning. Please stick to gentle products suitable for delicate materials.
- All parts should be checked monthly to confirm their integrity and to make sure that the screws are not loose.
- If any part of the product is or appears to be damaged, missing or loose, please contact the local distributor and do not use the product.

**ДАТА ИЗГОТОВЛЕНИЯ ПРОДУКЦИИ**

год и месяц изготовления продукции указаны в серийном номере продукта. (существует 2 способа определения даты изготовления, оба способа описаны ниже)

- После S/N: первые две цифры означают год, вторые две – месяц изготовления. Например, S/N: H170200001 означает, что товар был произведен в феврале 2017 года.
- После S/N: если указаны буквы, то две буквы представляют цифры из таблицы ниже, и означают год, следующие две цифры – месяц изготовления. Например, S/N: DAG02REV1000001 означает, что товар был произведен в феврале 2017 года.

A	B	C	D	E	F	G	H	I	J
1	2	3	4	5	6	7	8	9	0

• Например, AG = 17 = 2017 год

