

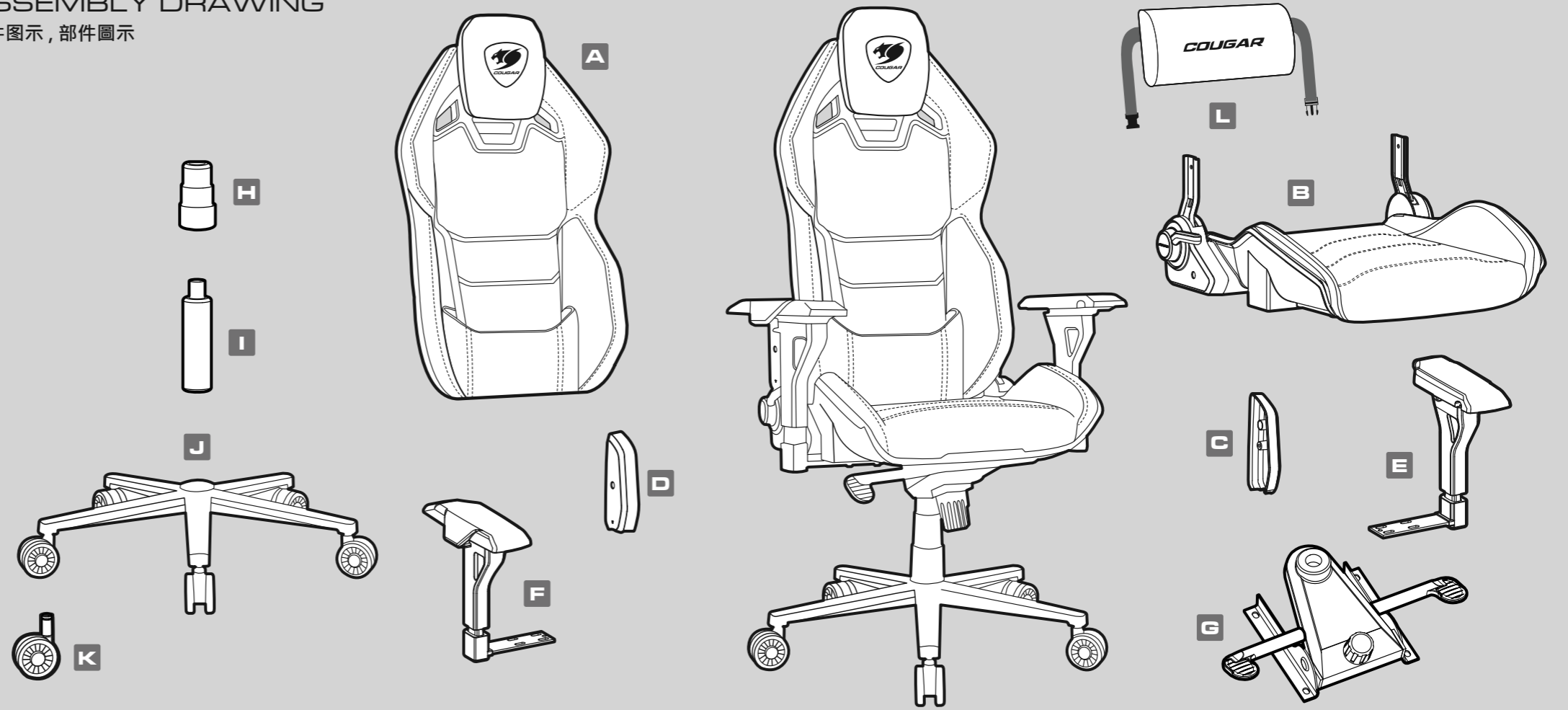


HOTROD ROYAL

GAMING CHAIR

ASSEMBLY DRAWING

部件图示, 部件圖示



THE FAST AND THE FURIOUS

极限竞速, 極限競速

Precision. Focus. Endurance: qualities of every high-performance endeavor, from athletics to gaming. With the demand it places on equipment designed for maximum comfort and support, COUGAR looked to motorsports for inspiration, resulting in our latest gaming chair: the HOTROD ROYAL.

精确、专注和持久力：这些是在各种高效能事业中所需具备的特质，从运动到游戏无不如此。COUGAR 在设计极致舒适和支持的设备时，汲取了赛车运动的灵感，推出了我们最新的游戏椅款式：HOTROD ROYAL。精确、专注和持久力：这些是在各種高效能事業中所需具備的特質，從運動到遊戲無不如此。COUGAR 在設計極致舒適和支持的設備時，汲取了賽車運動的靈感，推出了我們最新的游戏椅款式：HOTROD ROYAL。

FEATURES 产品特点, 產品特點

ENGLISH

- Motorsports stylish design.
- Multi-zone backrest design for optimum body support.
- Multi-density cushion of backrest for ultimate comfort.
- Unique PA Fiberglass-Reinforced Plastic shell.
- Integrated height-adjustable head cushion.
- Optimum body-embracing design, more support for your body.
- Hyper-Dura Leatherette.
- 4D armrest.
- 5 star metal base.
- Weight limit: 136kg.

DEUTSCH

- Stilvolles Design des Motorsports.
- Mehrzonen-Rückenlehrendesign für optimale Körperunterstützung.
- Multi-Density-Kissen der Rückenlehne für ultimativen Komfort.
- Einzigartige Schale aus glasfaserverstärktem PA-Kunststoff.
- Integriertes höhenverstellbares Kopfpolster.
- Optimale Körperumarmung, mehr Unterstützung für Ihren Körper.
- Hyper-Dura-Kunstleder.
- 4D-Armlehne.
- 5-Sterne-Metallfuß.
- Gewichtsbeschränkung: 136 kg.

FRANÇAIS

- Design élégant pour les sports mécaniques.
- Conception de dossier multi-zones pour un soutien optimal du corps.
- Coussin multi-densité du dossier pour un confort ultime.
- Coque unique en plastique renforcé de fibre de verre PA.
- Coussin de tête intégré réglable en hauteur.
- Conception optimale enveloppant le corps, plus de soutien pour votre corps.
- Similicuir Hyper-Dura.
- Accoudoir 4D.
- Base en métal 5 étoiles.
- Limite de poids: 136 kg.

日本語

- スタイルが美しいスポーツデザイン
- 人間工学に基づいた背もたれデザイン
- 高密度背もたれクッション
- PAガラス繊維強化プラスチック製筐体
- 高さ調節可能なヘッドクッション
- 体もれ防止の最適なデザイン
- Hyper-Dura超耐摩皮革
- 4Dアームレスト
- スチール製ホールベース
- 耐重量: 136kg

簡中

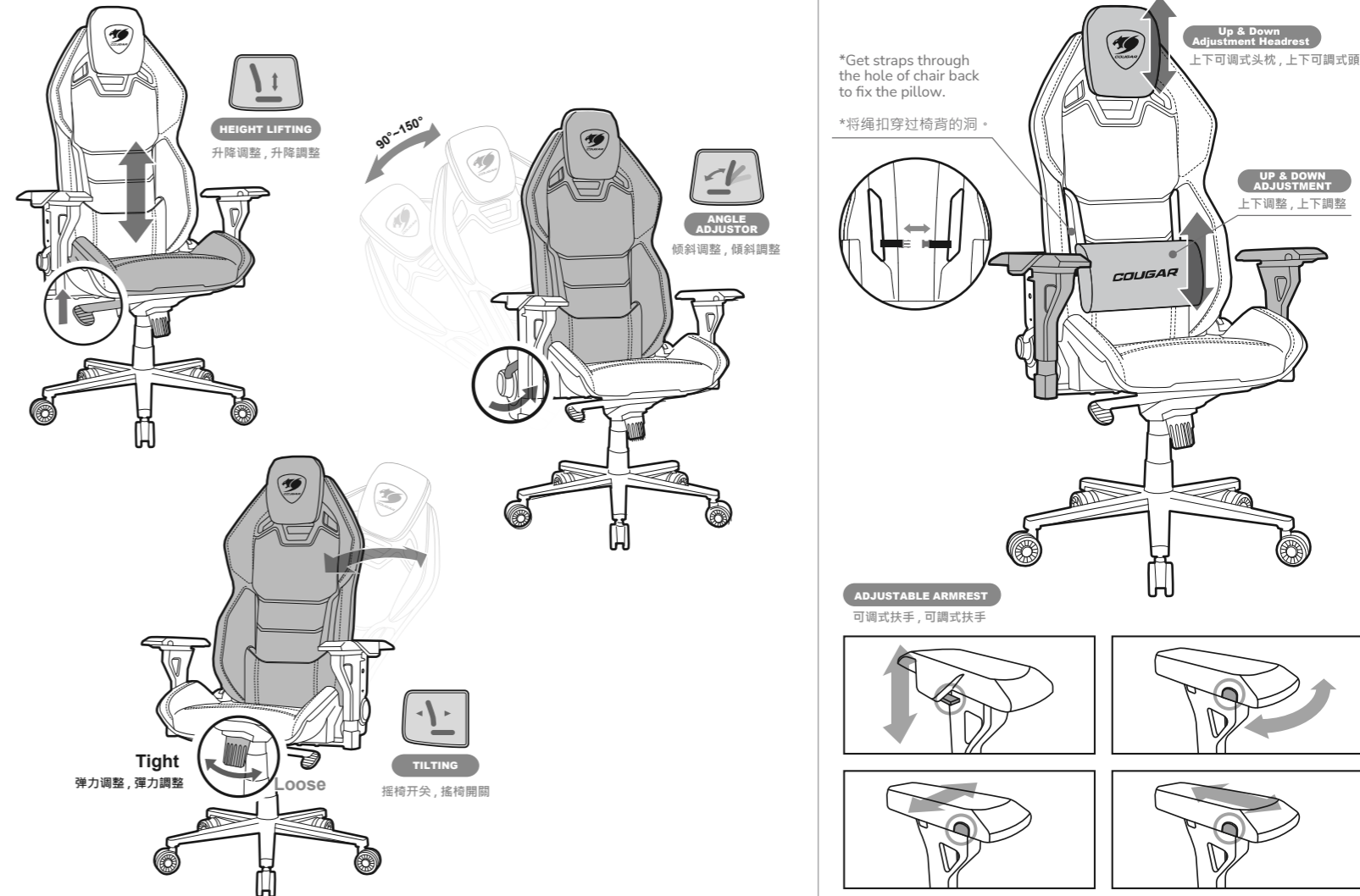
- 运动时尚风格设计
- 舒适的椅背区域分布设计
- 多层次缓冲椅背泡棉
- 独特的高弹性 PA 玻璃纤维强化外壳
- 一体式高低可调节头枕
- 最佳的包裹性、支撑性坐感
- Hyper-Dura 超耐摩皮革
- 4D 扶手设计
- 坚固耐用的金属椅脚
- 最大可承重 136kg

PORTUGUÊS

- Design esportivo.
- Projeto de encosto multi-zonas.
- Encosto de espuma em vários níveis.
- Estrutura única de PA reforçado com fibra de vidro.
- Almofada ajustável em altura.
- Projeto de abraçar o corpo, oferecendo mais suporte para seu corpo.
- Couroino Extremamente Durável.
- Apoios de braço 4D.
- Base metálica forte e durável.
- Peso máximo: 136 kg.

РУССКИЙ

- Мотоспортивный стильный дизайн.
- Многозональная конструкция спинки для оптимальной поддержки тела.
- Мягкая подушка спинки для максимального комфорта.
- Уникальный пластиковый корпус из полиамида, армированного стекловолокном.
- Встроенная регулируемая по высоте подушка для головы.
- Оптимальный дизайн, облегчающий тело, больше поддержки для вашего тела.
- Экокожа Hyper-Dura.
- 4D подлокотник.
- 5 звезд металлическая основа.
- Ограничение по весу: 136 кг.



*Get straps through the hole of chair back to fix the pillow. 上下可調式頭枕, 上下可調式頭枕

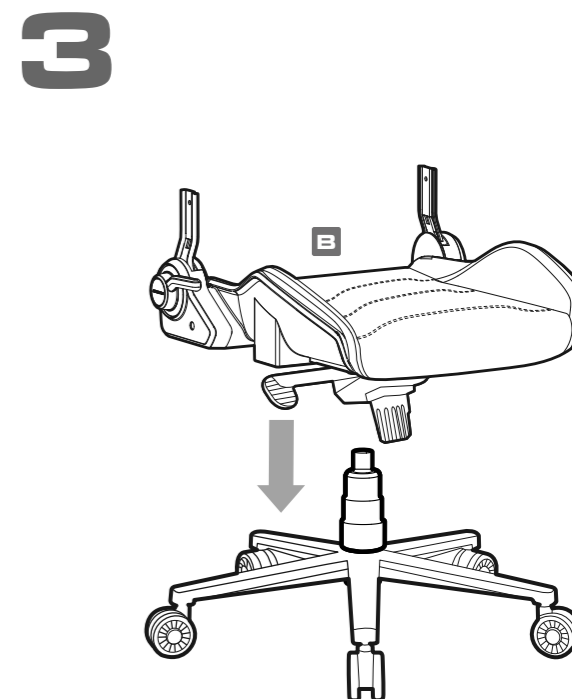
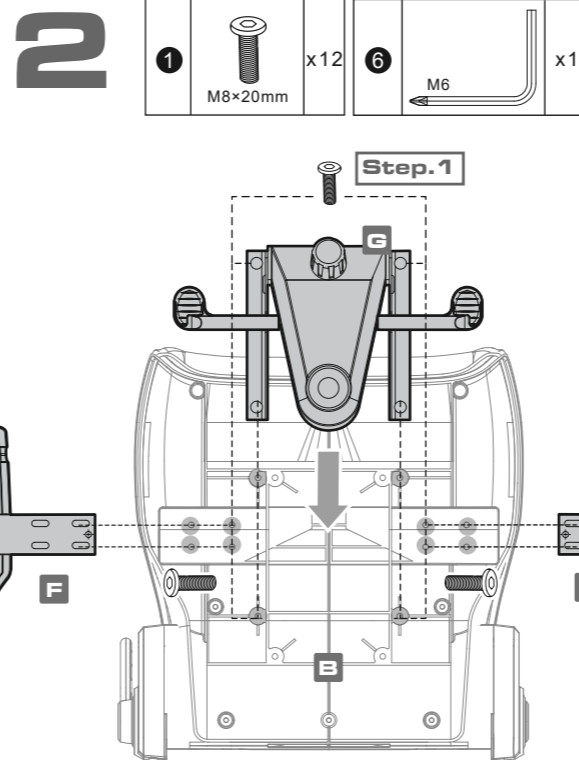
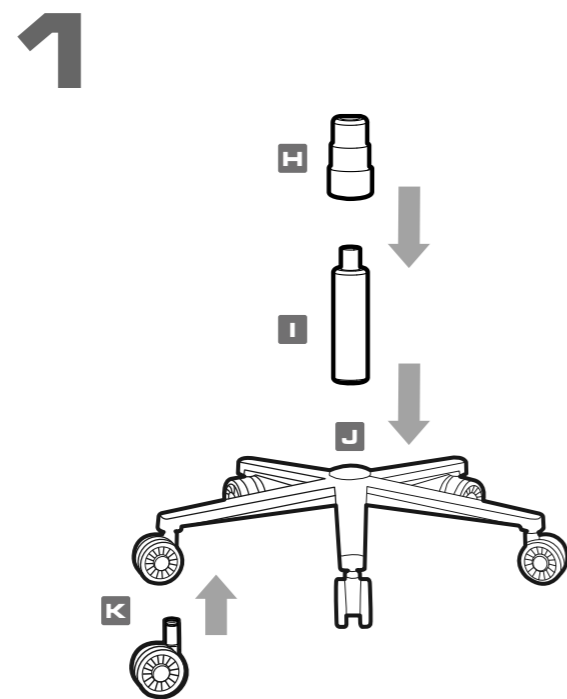
*將繩扣穿過椅背的洞。 上下調整, 上下調整

可調式扶手, 可調式扶手

Tight 彈力調整, 彈力調整

Loose 搖椅開關, 搖椅開關

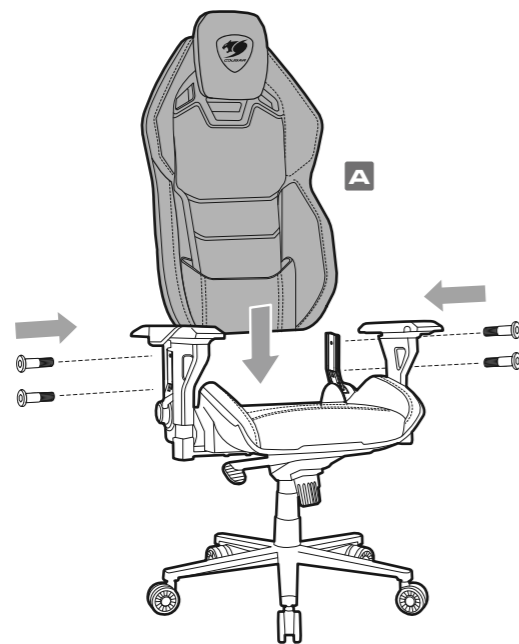
1 M8×20mm x12	2 M8×40mm x4
3 M5×14mm x2	4 x2
5 x4	6 M8 M6 x2



4	2 M8×40mm x4	6 M8 x1
----------	---------------------------	----------------------

!
The screws are pre-installed on the chair.
Please remove them before assembly.
螺丝已预先安装在椅子零件上。组装前请先拆卸。
螺丝已预先安装在椅子零件上。组装前请先拆卸。

5	3 M5×14mm x2	4 x2	6 M6 x1
----------	---------------------------	----------------	----------------------



MANUFACTURER CONTACT



www.cougargaming.com COUGAR USA Technical Service
Tel: (833) 256-3778
Mail: rma@compucaseusa.com

Compucase Enterprise Co., Ltd.
All rights reserved. Made in China



Official website

Maximum stationary weight capacity 136kg. Please do not place any body or object above 136kg on this chair. From spaces in which it could get caught or be injured.

本产品最大承受重量136公斤。请勿将136公斤以上的身体或物体放在椅子上。本产品最大承受重量136公斤。请勿将136公斤以上的身体或物体放在椅子上。

DISTRIBUTOR



ДАТА ИЗГОТОВЛЕНИЯ ПРОДУКЦИИ
год и месяц изготовления продукции указаны в серийном номере продукта. (существует 2 способа определения даты изготовления, оба способа описаны ниже)

A После S/N: первые две цифры означают год, вторые две – месяц изготовления. Например, S/N: H1702000001 означает, что товар был произведен в феврале 2017 года.

B После S/N: если указаны буквы, то две буквы представляют цифры из таблицы ниже, и означают год, последующие две цифры – месяц изготовления. Например, S/N: DAG02REV1000001 означает, что товар был произведен в феврале 2017 года.

A	B	C	D	E	F	G	H	I	J
1	2	3	4	5	6	7	8	9	0

• Например, AG = 17 = 2017 год



GLOBAL WARRANTY POLICY

全球保固條款, 全球保固政策

WARRANTY PERIODS OF COUGAR GAMING DEVICES

Product : COUGAR HOTROD ROYAL GAMING CHAIR
Warranty : Please refer to our official website.
(https://cougargaming.com/us/support/warranty/)
保固政策 : 中国地区购买, 请参考中国地区官方网站。
(http://cougargaming.com.cn/support/warranty/)



詳細保固條件
請掃描QR Code

This warranty gives you specific legal rights. You may also have other rights granted under local law. These rights may vary.

WARRANTY AGREEMENT

• If the product has defects in material or manufacture, COUGAR will provide product repair and replacement service within the warranty period.
• Our warranty service is based on the date of the invoice or warranty card.

CONDITIONS WHERE FREE MAINTENANCE IS NOT PROVIDED

- Any fault or damage caused by natural disasters (including storm, fire, flood, thunder, earthquake, etc).
- Any fault or damage caused by accidental factors and man-made reasons (including hit, scrape, crash, moving, compression, stain, corrosion, riot, misuse, malicious damage, etc).
- Use in an improper operating environment (including high temperature, high humidity, water inflow, etc).
- Inability to provide the product warranty card, purchase receipt or invoice to prove the product is still within the warranty period and the shipping date of the product is out of warranty.
- The warranty card has been altered or its number is hard to identify.
- The warranty period has expired.

- Any fault or damage caused by non-compliance with regulations stated on the user manual or improper, rough and careless treatment.
- Any fault or damage caused by use of parts not certified by COUGAR original manufacturer.
- The problem is caused by improper repair or adjustment by the buyer or any manufacturer without authorization from COUGAR.
- The product is not acquired from an authorized distributor of the company or is acquired from illicit sources.
- Paper carton, instruction and other accessories are not warranted.

DISCLAIMERS

- COUGAR products should not be used as critical components in life support devices.
- COUGAR is not liable for any damage of life and limb or damage or loss of property caused by or during COUGAR products' use as or with medical equipment, military equipment, traffic equipment and disaster prevention systems.
- COUGAR's warranty liability is limited to repair or replacement. The decision on whether to repair or replace belongs exclusively to COUGAR.

• COUGAR is, to the extent not prohibited by law, not liable for any damages; expenses; lost data, revenues, savings or profits; or any incidental or consequential damages happened while the use of a defective product from COUGAR or due to its use.

LEGAL NOTICES

This manual was created by Compucase Enterprise and may not be completely or partially copied, passed on, distributed or stored without written consent by Compucase Enterprise. COUGAR® is a registered brand of Compucase Enterprise. Other product and company names mentioned in this documentation may be brands or trademarks of their respective owners. Compucase Enterprise reserves the right to make changes concerning the contents of the manual and the technical data of the product without previous announcement.

WARNING

- To adjust the chair height, gently pull the lever up. Do not use excessive force to pull the lever.
- Please wear protective gloves when assembling the chair. It is your own responsibility to use appropriate protection to prevent any physical damage.
- When rocking the chair, using it in any other way or adjusting the height, inclination, position or balance of the chair or any of its components, please:
- Pay attention to your hand's position and keep it away from spaces in which it could get caught or be injured.
- Do not make fast or violent movements.
- (when the chair is in movement) do not touch any of the chair's adjustment controls to prevent affecting its stability and causing a potentially dangerous fall.
- (when reclining the chair to its full extent) set the related control level in lock position and keep both feet on the ground, as well as abstain from any violent, rough or strong movement which could cause the chair to tip over.
- Keep in mind that this chair is designed only for sitting and reclining, and that it should be used only for those uses.
- Do not sit on the edge of the chair or the arm rests.
- Do not place the chair in a location in which it is likely to be subjected to prolonged sunlight exposure. The product's colors might fade when exposed to sunlight.
- Do not use abrasive products or scrub energetically when cleaning. Please stick to gentle products suitable for delicate materials.
- All parts should be checked monthly to confirm their integrity and to make sure that the screws are not loose.
- If any part of the product is or appears to be damaged, missing or loose, please contact the local distributor and do not use the product.