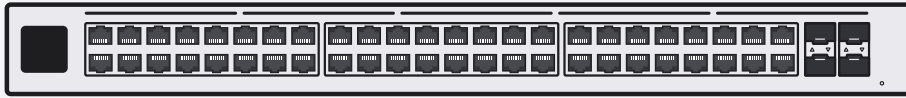




**Pro Max 48**



1x

**a**



2x

**b**

M4



8x

**c**



4x

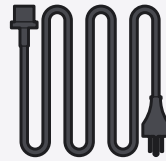
**d**

10#-32



4x

**e**



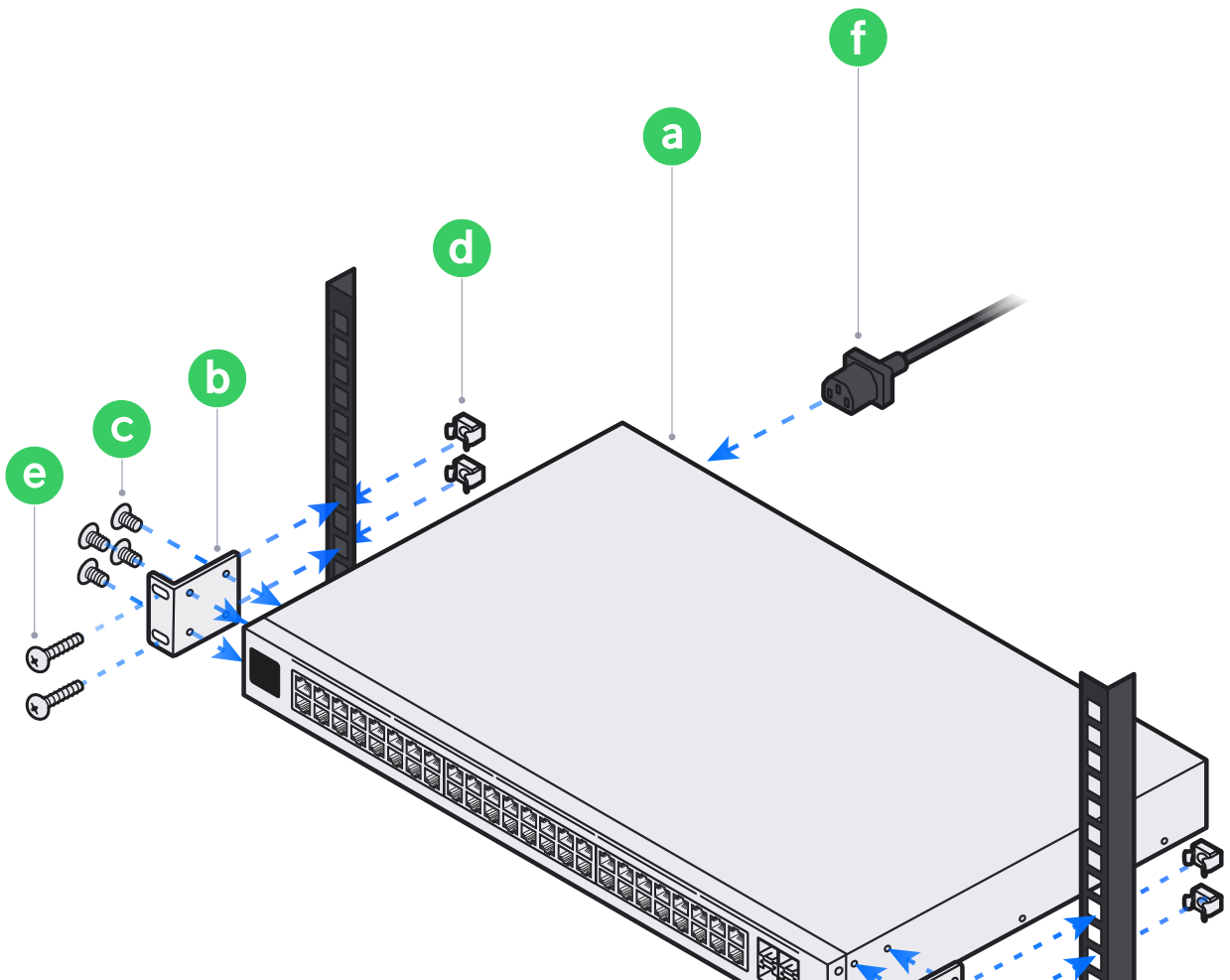
1x

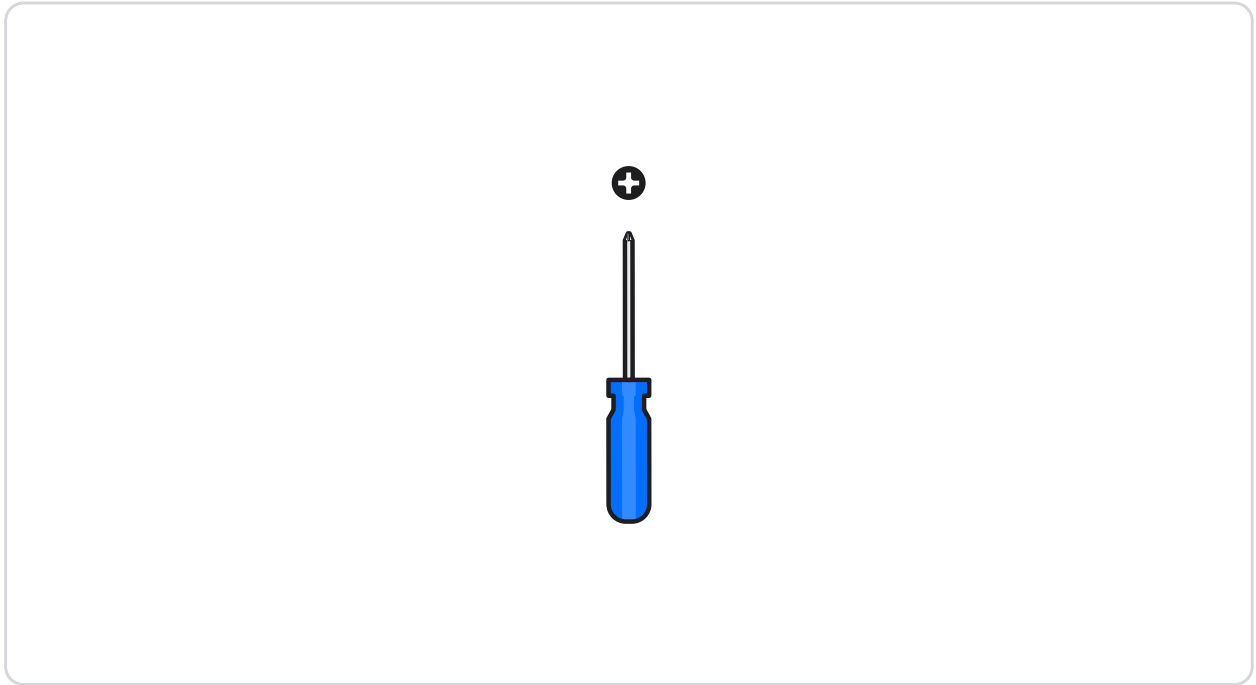
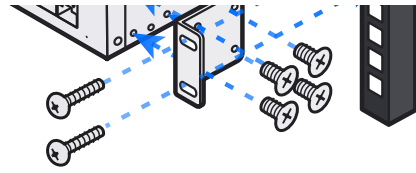
**f**



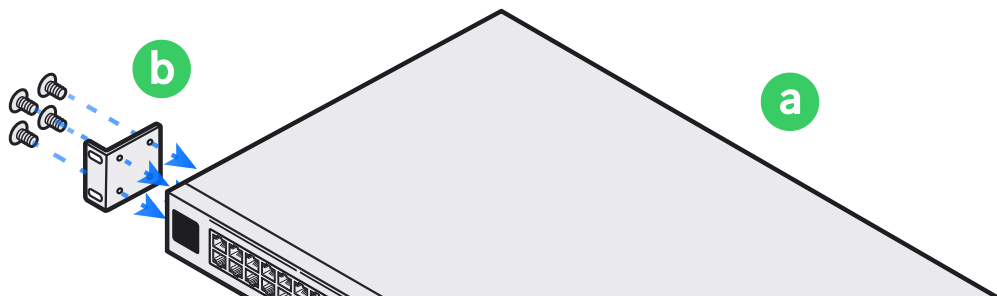
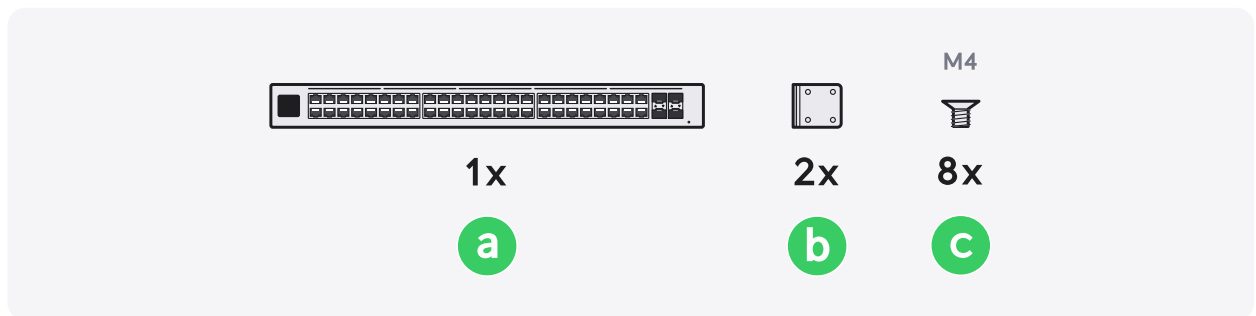
1x

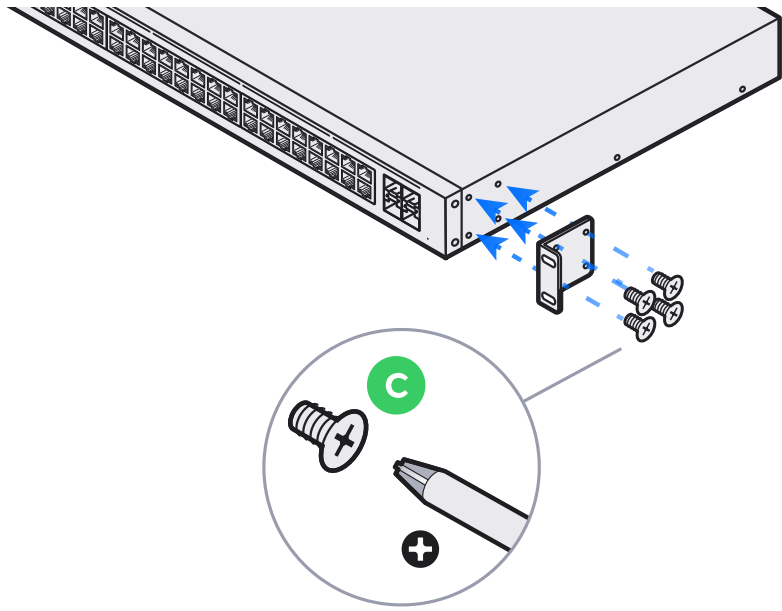
**g**





# 1

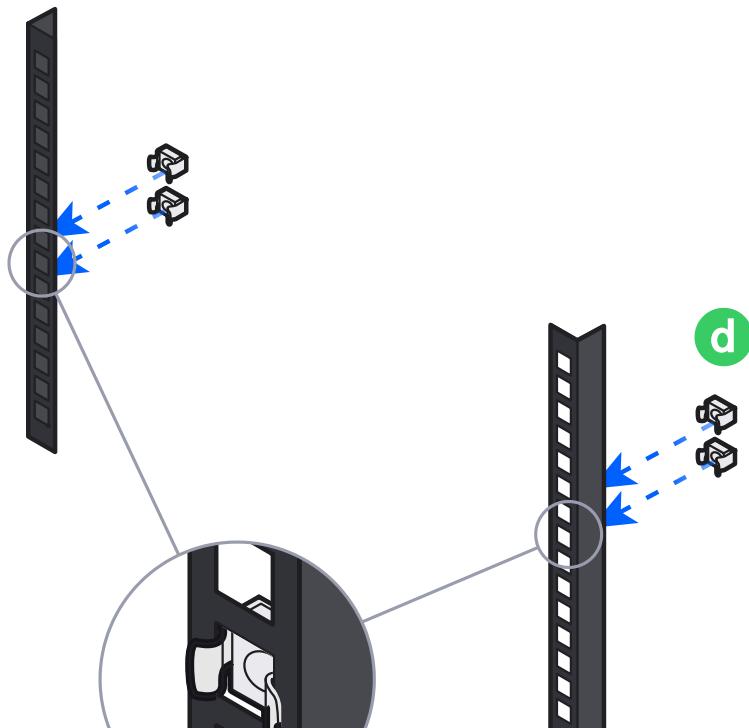




# 2



4x

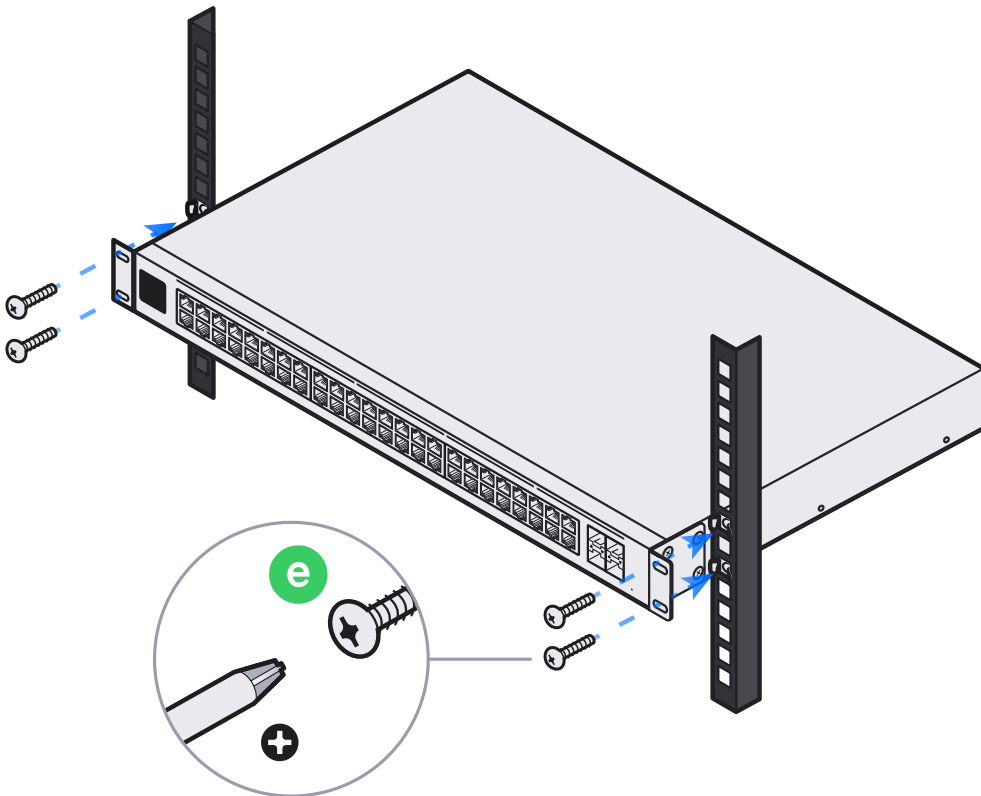


3

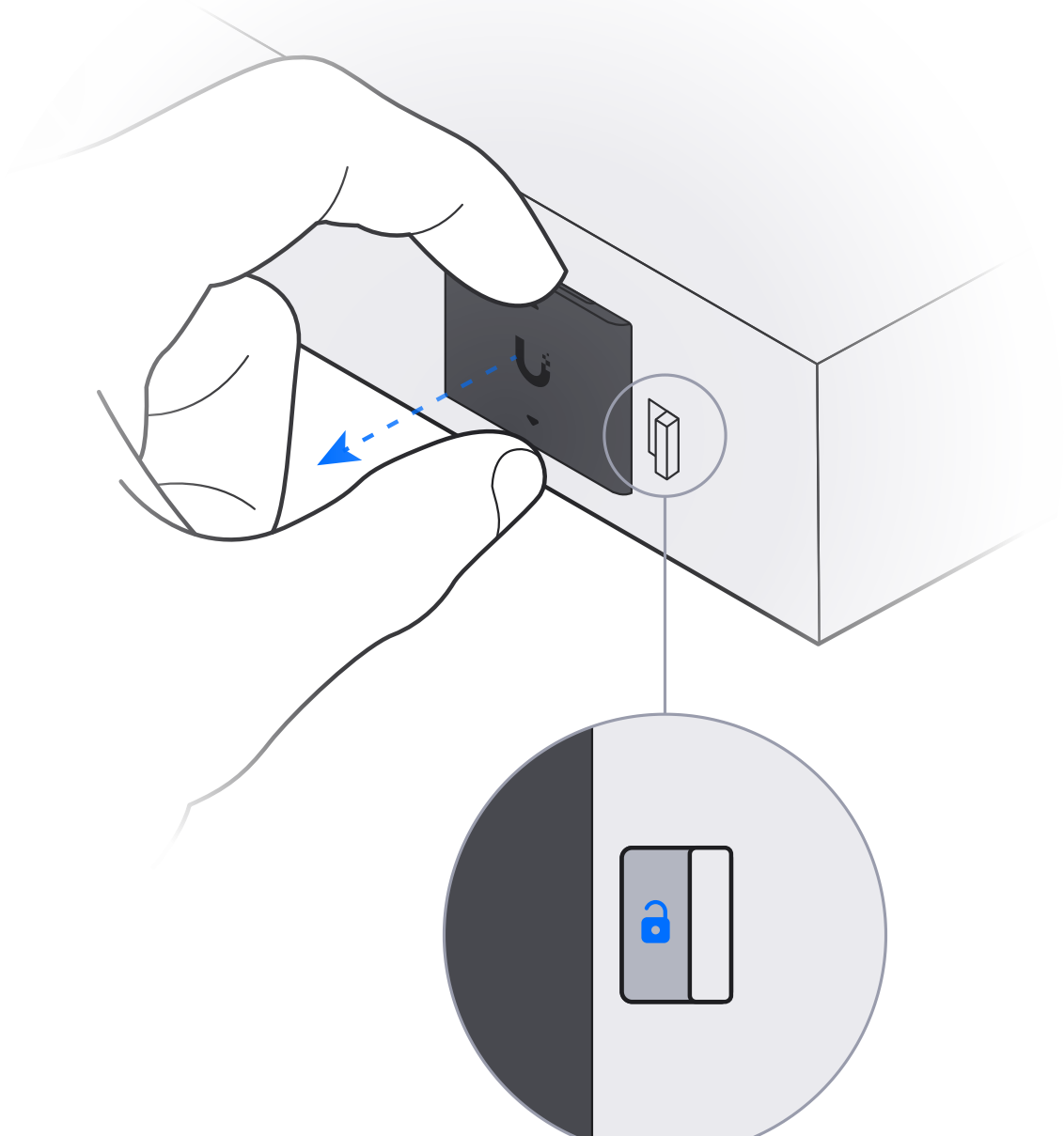
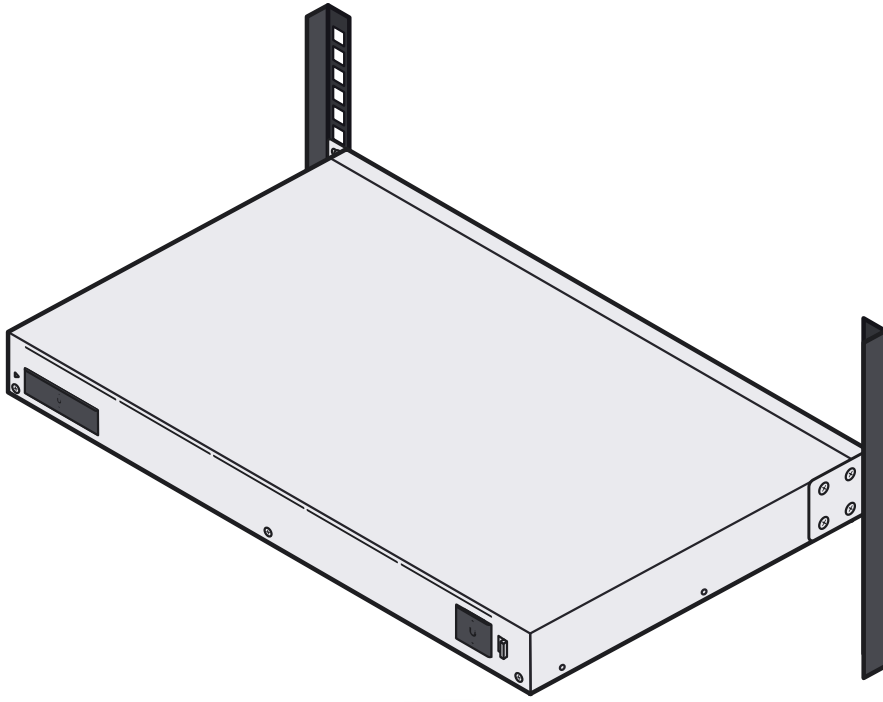
10#-32



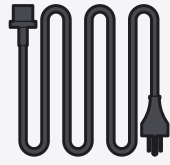
4x



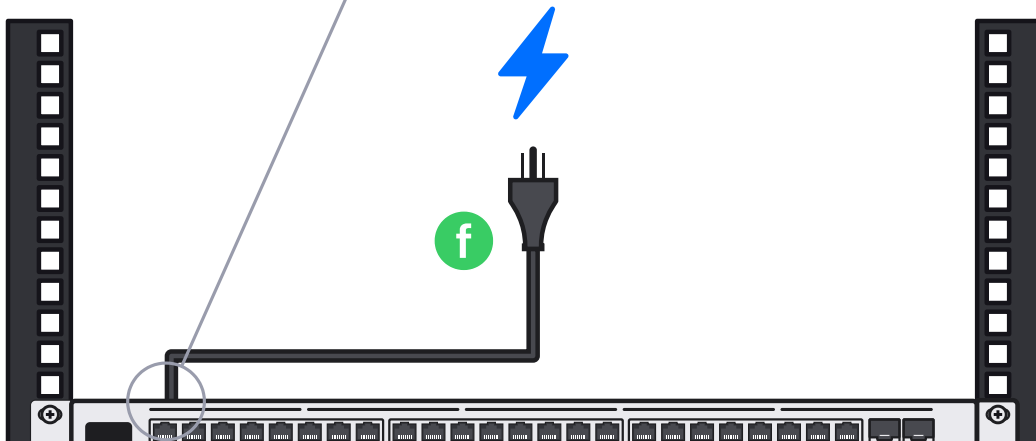
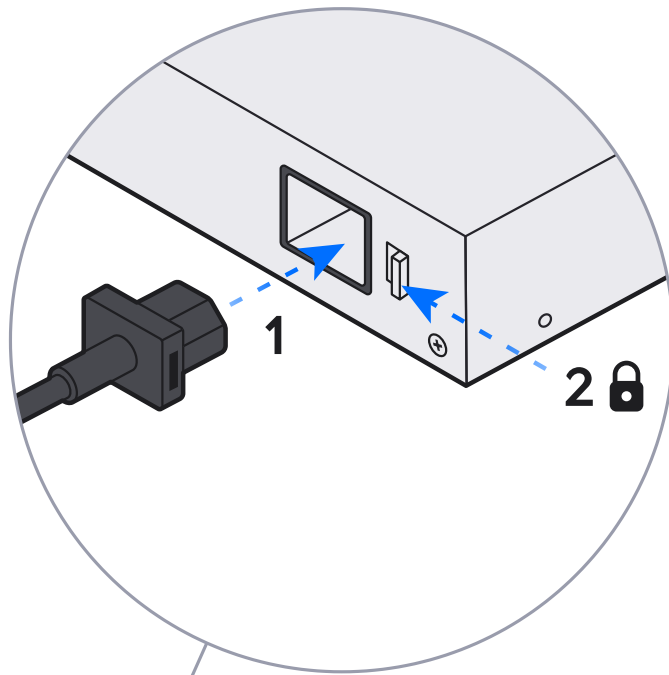
4



# 5



1x





6

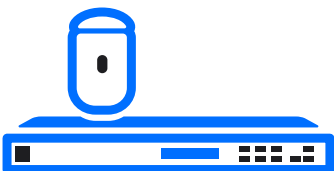
A



10G



Internet



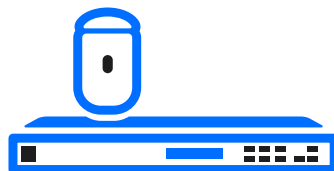
B



2.5G

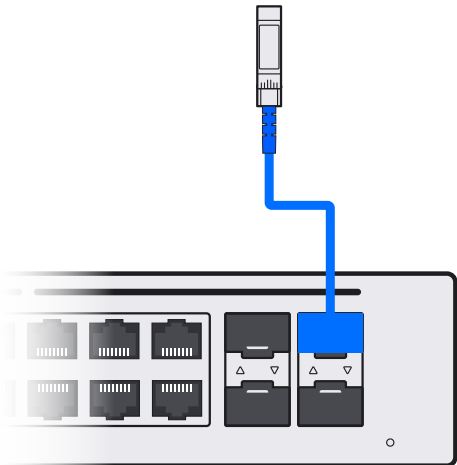


Internet

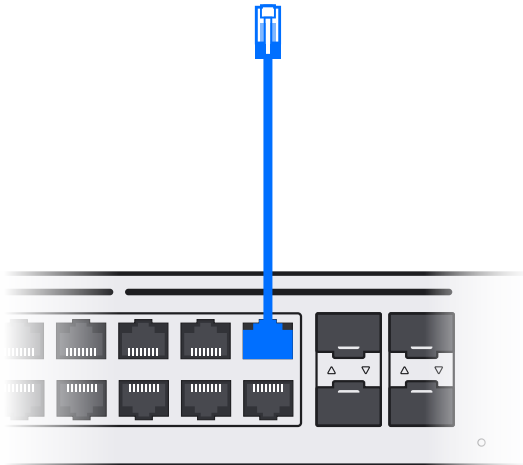




# UniFi Cloud Gateway



# UniFi Cloud Gateway



7





If you need further assistance, visit our [Help Center](#) or contact [Ubiquiti Support](#).

©2023 Ubiquiti Inc. All rights reserved. Ubiquiti, the Ubiquiti U logo and UniFi are trademarks or registered trademarks of Ubiquiti Inc. in the United States and in other countries. Apple and the Apple logo are trademarks of Apple Inc., registered in the U.S. and other countries. App Store is a service mark of Apple Inc., registered in the U.S. and other countries. Android, Google, Google Play, and the Google Play logo are trademarks of Google LLC.